



PERSONAL LIFE-SAVING APPLIANCES

SHM's Guardian series lifejackets are specially manufactured to be easily worn & are fully compliant with the SOLAS LSA code. They come in adult and child sizes, and are recommended to combine with the SHM Pulse J1 Lifejacket Light.

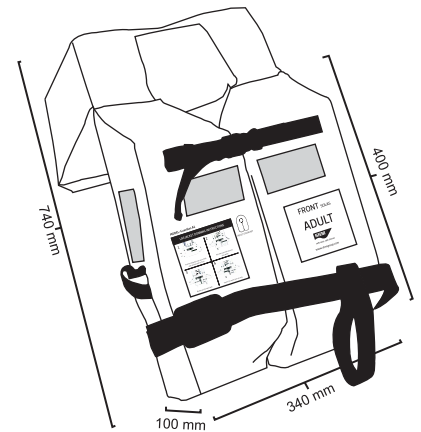
GUARDIAN A1



SPECIFICATIONS

Lifejacket - Adult

Code	: L01101
Size	: Adult Universal, Oversize persons
Material	: Polyester Oxford Fabric, EPE Foam
Buoyancy	: > 150N
Size of wearer	: up to 140Kg with a chest girth of 175 cm
Accessories	: Emergency light (optional), whistle, buddy line, & lifting loop
Operating temp	: -30°C to +65°C



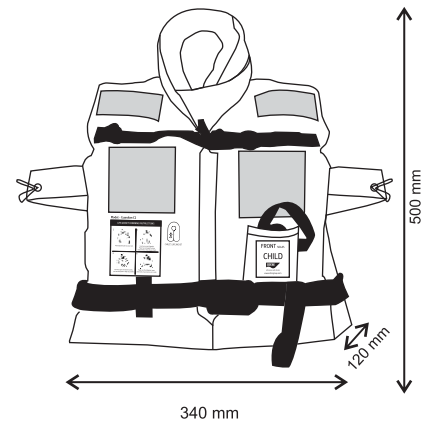
GUARDIAN C1



SPECIFICATIONS

Lifejacket - Child

Code	: L01102
Size	: Child
Material	: Polyester Oxford Fabric, EPE Foam
Buoyancy	: > 88N
Size of wearer	: 15 Kg to 43 Kg
Accessories	: Emergency light (optional), whistle, buddy line, & lifting loop
Operating temp	: -30°C to 65°C



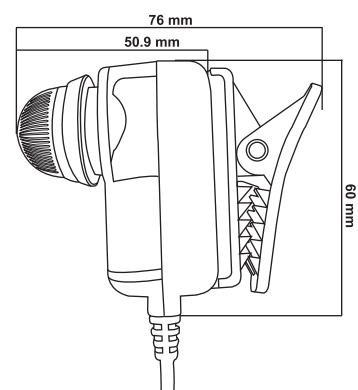
PULSE J1



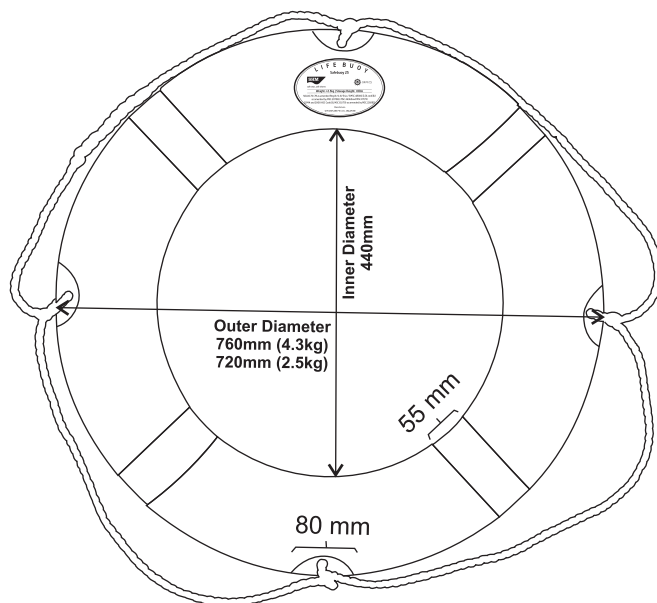
SPECIFICATIONS

Lifejacket Light

Code	: L02101
Light	: LED Type, water activated
Duration Cycle	: 8 hrs
Flashing frequency	: 50 to 70 times/min
Battery	: Lithium battery
Shelf life	: 5 Years
Design	: Lightweight, waterproof, and compact
Operating temp	: -30°C to +65°C



SOLAS LIFEBOUYS



Safebuoy 25

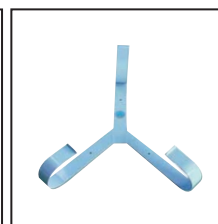
Safebuoy 43

Code	L03101	L03102
Weight	2.5 kg	4.3 kg
Material	HDPE Shell filled with PU Foam	HDPE Shell filled with PU Foam
Buoyancy	> 150N	> 150N
Drop Height	80mm	80mm
Grab Line	Polyethylene	Polyethylene

ACCESSORIES



Floating Line
Code : S04102



SS Bracket
Code : L03103



Quick Release Case
Code : L03104

Direction for use

Method 1

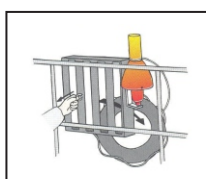


Remove lifebuoy

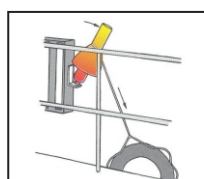


Throw lifebuoy

Method 2



Pull out lock pin



Lifebuoy pulls MOB

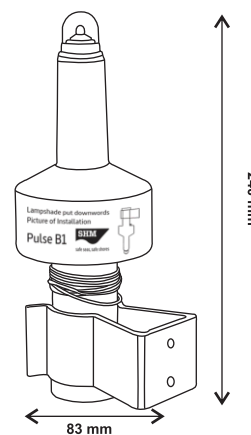
PULSE B1



SPECIFICATIONS

Lifebuoy Light

Code	: L04101
Light	: LED Type white light, water activated
Duration Cycle	: > 2 hrs
Flashing frequency	: 50 to 70 times/min
Battery	: Lithium battery
Shelf life	: 5 Years
Operating temp	: -30°C to +65°C
Luminous Intensity	: > 2 cd



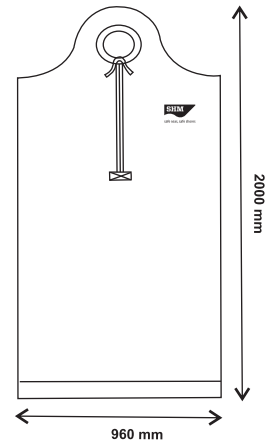
THERMA T1



SPECIFICATIONS

Thermal Protective Aid

Code : L06101
 Material : Polyester coated aluminum composite fabric
 Usage : Reduces evaporative heat loss from user's body
 Operating Temp : -30°C to +65°C



CRIMSON I1

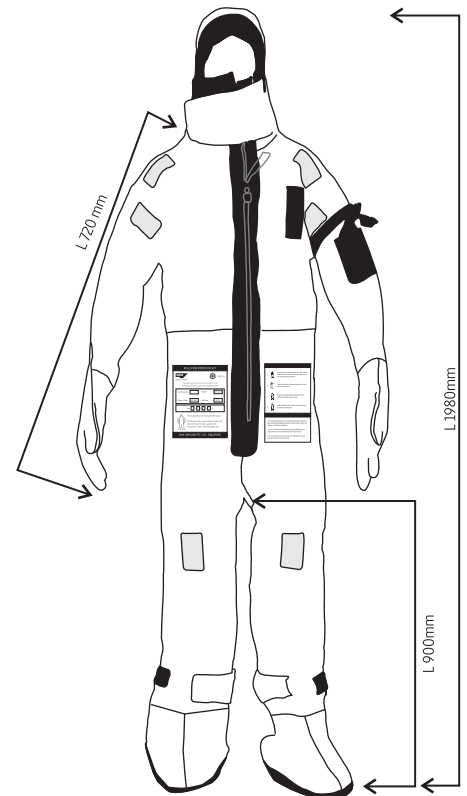


SHM's Crimson range of Immersion Suits are designed, in accordance to SOLAS LSA code, to improve the ability to remain dry and maintain body temperature when immersed in water. Crimson I1 suits are made of reinforced neoprene, and come in assorted sizes with a head support.

SPECIFICATIONS

Immersion Suit

Size : S,M,L,XL
 Code : L05101
 Material : Neoprene
 Buoyancy : > 160 N
 Whistle : Yes
 Light : Yes
 Reflective Tape : 400 cm2
 Operating temp : -30°C to +65°C



ACCESSORIES



* Dimension for L Size

The kit comprises of:

1. Face fixture
2. Pressure Gauge
3. Glue and Applicator
4. Foot Pump



Immersion Suit Testing Kit
Code : L05103